



Make It Easy



JOYS663
Ultrasonic Water Meter

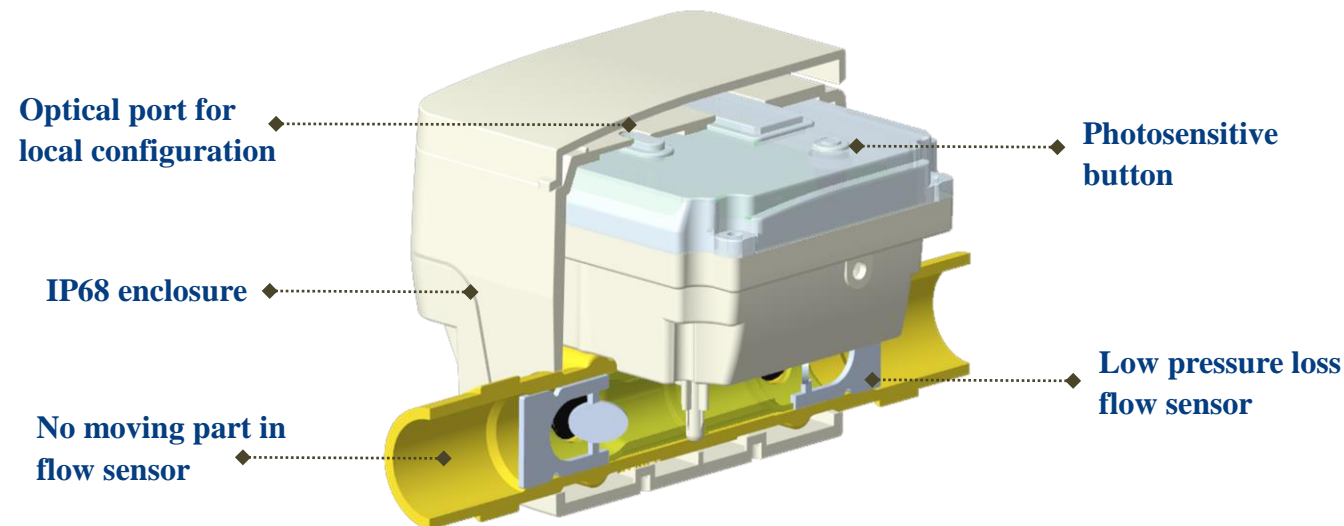
DESCRIPTION

JOYS663 is an ultrasonic water meter that combines Joy's decade's experience in ultrasonic metering research and development. By updating the button from rubber to photosensitive type, the button life is extended as long as the meter life and the meter water protection is pretty reliable as IP68. In addition, the improved special compact design also makes more battery types are now available to choose. It does completely assure the quality of meter working life for different fields.

By developing a bunch of communication ports for the coming IoT age, M-Bus, LoRa and NB-IoT are ready for using in different aims such as data collecting and labor cost down.

FEATURES

- ▶ High measuring accuracy,R160/R250
- ▶ Low starting flow in 2L/h
- ▶ Updated data storage
- ▶ Easy installation, Horizontal or vertical
- ▶ Fully water-proof IP68
- ▶ Automatic events recording and reporting
- ▶ Reverse counting
- ▶ Leakage detection
- ▶ Temperature detection
- ▶ Anti-freezing
- ▶ Real-time anomaly monitoring
- ▶ Anti-magnetic protection and records



TECHNICAL SPECIFICATIONS

Item	Parameter			
Diameter, mm	DN15		DN20	
R(Q3/Q1)	R160	R250	R160	R250
Q3, m ³ /h	2.5	2.5	4	4
Q4, m ³ /h	3.125	3.125	5	5
Q1, m ³ /h	0.016	0.010	0.025	0.016
Connection	G ³ / ₄ B		G1B	
Length, mm	165		190	
Width, mm	94			
Height, mm	86			
Connection	Threaded joint			
Temp. Class	T30,T50			
Class of Pressure Loss, kPa	ΔP63			
Sensitivity to Irregularity	U10/D 5			
Max. Working Pressure, MPa	1.6			
Accuracy	Class 2			
Environmental Classification	B			
Electromagnetic Environment	E1			
Start Flow Rate	2L/h			
Installation Direction	Horizontal or Vertical			
Installation Environment	Indoor			
Date Storage	36 months historical records			
LCD	8-digit			
LCD Resolution	0.001 m ³			
Power Supply	DC 3.6V, battery			
Meter Life	6/10 years lifetime			
Communication Interface	IrDA, MBus, Pulse output, M-Bus, LoRa, NB-IoT			
Data Storage	36months, 60days			
Protection	IP65 / IP68			
Ambient Temp.	5~55 °C			
Storage Temp.	-20~60 °C			
Standard Compliance	Meter Standard	EN14154,OIML R49		
	Communication Standard	EN13757, CJ/T 188		