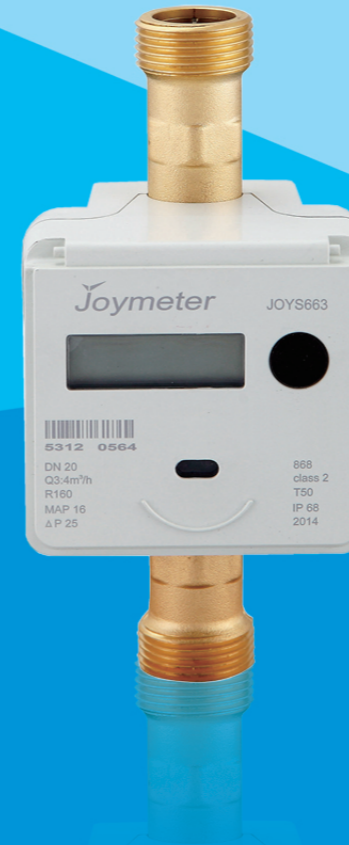


Joymeter



Make It Easy



JOYS663
Ultrasonic Water Meter



Tel:+86-573-83775889 Fax:+86-573-82237330 marketing@joymeter.com www.joymeter.com
No.88 West Zhengyang Rd, Jiaxing, Zhejiang, China

Joy Electronic Technology Co., Ltd

DESCRIPTION

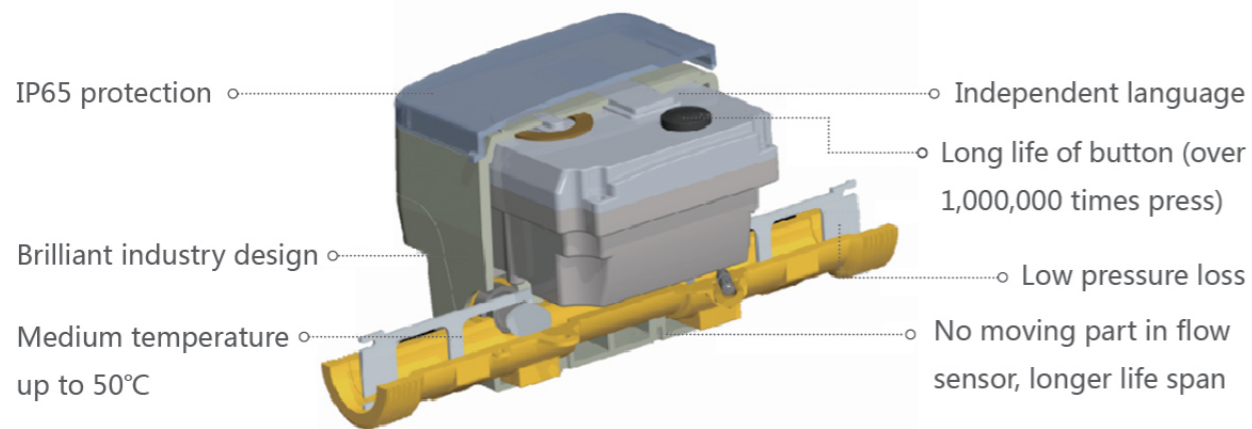
JOYS663 launched by JOY combines years' experience in metering research and development, adopting state-of-the-art technology and sophisticated production. It has been proven that JOYS663 is reliable and absolutely matured achievement in high accuracy measurement.

In addition, the special compact design does completely assure the quality of water-proof protection.

The accuracy is guaranteed even if it is installed under water in a long time. Moreover, the core engineering concept of JOYS663 aims at cutting down the budget on overall operating costs from remote meter readings.

FEATURES

- ▶ High measuring accuracy, R160/R250/R400
- ▶ Low starting flow in 2L/h
- ▶ Low pressure loss, $\Delta P \leq 40\text{kPa}$
- ▶ Easy installation, Horizontal or vertical
- ▶ Long life span: Low-power ultrasonic measurement techniques, working for more than 10 years
- ▶ Reverse counting
- ▶ Leakage detection
- ▶ Temperature detection
- ▶ Anti-freezing



COMMUNICATIONS

JOYS663 support multiple communications, such as Mbus, wMbus and LPWAN (LoRa, NB-IoT), for users to collect and upload data from the field. With advanced DT technology and cloud based C-Joy system, Joymeter helps utilities save more cost in meter reading and data analysis, and make the supplying and billing more efficient.

TECHNICAL SPECIFICATIONS

Item	Parameter												
Diameter, mm	DN15						DN20						
R(Q3/Q1)	160		250		400		160		250		400		
Permanent Flowrate, Q3, m3/h	1.6	2.5	1.6	2.5	2.5	2.5	4.0	2.5	4.0	2.5	4.0		
Overload Flowrate Q4, m3/h	2	3.125	2	3.125	3.125	3.125	5	3.125	5	3.125	5		
Min. Flowrate Q1, m3/h	0.01	0.016	0.006	0.01	0.006	0.016	0.025	0.01	0.016	0.006	0.01		
Length, mm	165						190						
Width, mm	94												
Height, mm	86												
Connection	Threaded joint												
Class of Temp.	T30, T50												
Pressure Loss, kPa	$\Delta P \leq 40$												
Max. Working Pressure, Mpa	1.6												
Installation Direction	Horizontal or Vertical												
Detection	Reverse flow, leakage, temperature												
Data Storage	18 months historical records												
LCD	8-digit												
Power Supply	DC 3.6V, lithium battery 6, 10, 15 years lifetime												
Data Interface	IrDA, Mbus, Pulse output, wMbus, LoRa												
Environment	Protection Class	IP65/IP68											
	Environmental Class	E1, M1, B											
	Ambient Temp.	5~55 °C											
	Ambient Temp.	-20~60 °C											
Standard Compliance	Meter Standard	EN14154, OIML R49											
	Communication Standard	EN13757, OMS, DLMS											
Communication	Method	Walk-by			Drive-by			AMI					
	Standard	EN13757											
	Distance	wMbus:200m			wMbus:200m			· Mbus:500m · wMbus:200m · LPWAN:10km					
	Frequency	868MHz or other ISM band											
	Power supply	Battery			Battery			· 220VAC(Mbus, LPWAN) · Battery(wMbus)					
	Reading Frequency	Once a day (customized)											