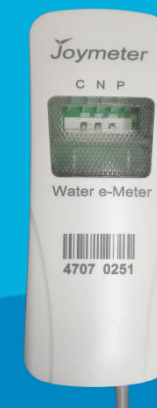




Make It Easy



JOYE-Meter

Communication Transfer Unit

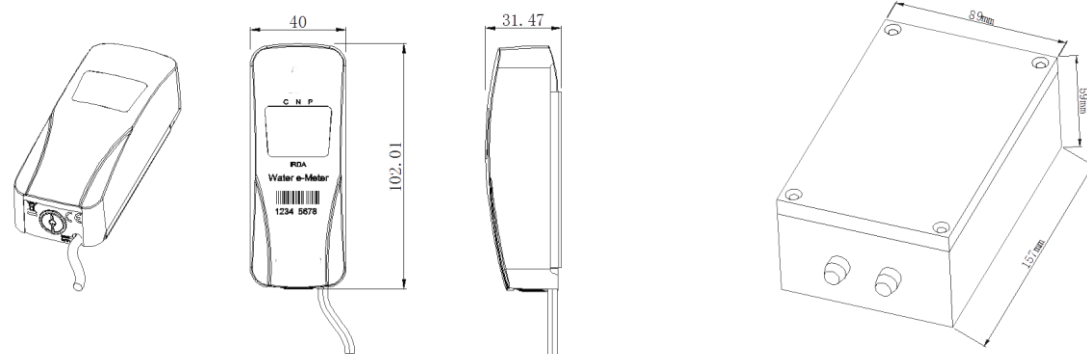
DESCRIPTION

JOYE-Meter is a data capture and transmitting terminal based on GPRS and AMR MSU technology. The product is programmed to store data and transmit them on regular intervals and utilizes quad-band GPRS technology to do so. The device will transmit the data via GPRS over the internet to a GPRS server listen to this specific type of device. The server can also show the current uses information by a dedicated mobile application or web.

The product is intended to be used in water occupied places thus the inner hardware of the device is sealed, making it water resistant. The product is also designed to withstand wide range of temperature and atmospheric variations and is not susceptible to damage from shaking and interference. Also it has other remote communication reserved such as wMbus and LoRa.

FEATURES

- ▶ Easy installation and commissioning;
- ▶ Tamper detection;
- ▶ Alarm warning and event record;
- ▶ Battery for backup power supply;
- ▶ Multi remote transfer mode support;
- ▶ Infrared port for local communication;
- ▶ Data transfer frequency programmable;
- ▶ Data encryption for security.



TECHNICAL SPECIFICATIONS

| Item | Parameter |
|--------------------------|--|
| Working Voltage | 5 VDC(After voltage conversion from main power supply) |
| Main Power Supply | 110~240 VAC |
| Backup Battery | 3.6 VDC |
| Backup Battery Life | 6 years |
| Max Pulse Cable Length | 100 m |
| SIM card for GPRS module | Nano SIM card |
| Support Band | 850/900/1800/1900MHz |
| Standard Complied | CJ-T188-2004 |
| Clock | RTC support |
| Electromagnetic Class | E1 |
| Mechanical Class | M1 |
| Environment Class | B |
| IP Rate | IP54 (with Box) |
| LED Indicator | Power LED (red) |
| | Network Status LED (green) |
| | Data transfer LED (yellow) |
| Tamper Detection | Main power lose |
| | Battery low voltage |
| | Open cover |
| Data Sending Interval | 1~65536 mins (Programmable) |