

**Joymeter**



**Make It Easy**



**JOY311C**

**Three Phase**

**Prepaid Electricity Meter**



Tel:+86-573-83775889 Fax:+86-573-82237330 marketing@joymeter.com www.joymeter.com  
No.88 West Zhengyang Rd, Jiaxing, Zhejiang, China

**Joy Electronic Technology Co., Ltd**

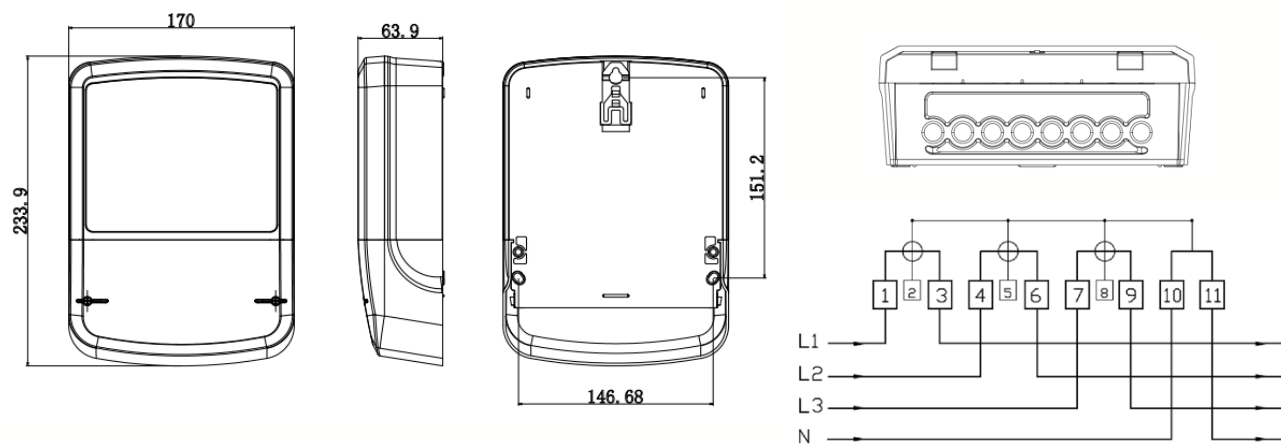
## DESCRIPTION

JOY311C is suitable for residential, commercial and light industrial environments. Credit and management data is transferred from a point of sales (POS) to the meter via a 20-digit numeric token that is generated using the Standard Transfer Specification (STS) encryption protocol. The token is entered into meter via a keypad.

The meter (integrated) or CIU (split) can be installed inside the home making it accessible for the consumer to enter in a credit token.

## FEATURES

- ▶ STS compliant
- ▶ Open cover detection
- ▶ Significant Reverse Energy (SRE) detection
- ▶ Adjustable audio and visual low credit warning level
- ▶ Easy switch between prepayment and post-payment option
- ▶ Automatic diagnosis of various faults includes contactor fault, memory devices fault, etc.
- ▶ Prepaid: top up before use, improved cash flow and revenue, customer arrears avoided
- ▶ Encryption algorithm: AES (widely used in banking systems), high security level
- ▶ Touch-Key: for easy operation and user-friendly
- ▶ Keypad with audible and text feedback
- ▶ Magnetic interference detection
- ▶ Over load protection



## TECHNICAL SPECIFICATIONS

Nominal Voltage	3x220/230/240V	
Operating Range	70% to 130% of Un	
Frequency Range	50/60Hz	
Base Current (Ib)	5A/10A	
Max Current (Imax)	80A/100A	
Constant	1000 imp/kWh	
Accuracy	Class 1	
Starting Current	4%Ib	
Max Withstand Voltage	450V (48hr)	
Insulation Classification	Double insulation	
Insulation Level	4kV rms for 1 minute	
Power consumption	Voltage Circuit ≤ 2W/10VA; Current Circuit ≤ 1.0VA@Ib	
User Interface	12 keys, international outlay standard with 0-9 numeric key, backspace and enter key	
External Interface	Optical port	
LCD	8 digits + icons + 2 digits (index)	
	Size: 50mm x 21mm	
	Backlight reserved	
Communication(MCU&CIU, if split)	2-wire communication, Distance: over 200m	
Installation	Indoor or outdoor wall-mounted	
Product Life	15 Years	
	Data retained over 20 years	
Weight	1350g	
Dimension	234mm x 170mm x 64mm	
Operating Temperature	-30°C ~ 60°C	
Storage Temperature	-40°C ~ 70°C	
Relative Humidity	≤ 95%;annual mean 75%	
IP Rating	IP54	
Standard Compliance	Meter Standard	IEC 62052-11, IEC62053-21, IEC 62055-31
	Communication	IEC62055-41, IEC62056-21

