



Make It Easy



JOYS663
Ultrasonic Water Meter

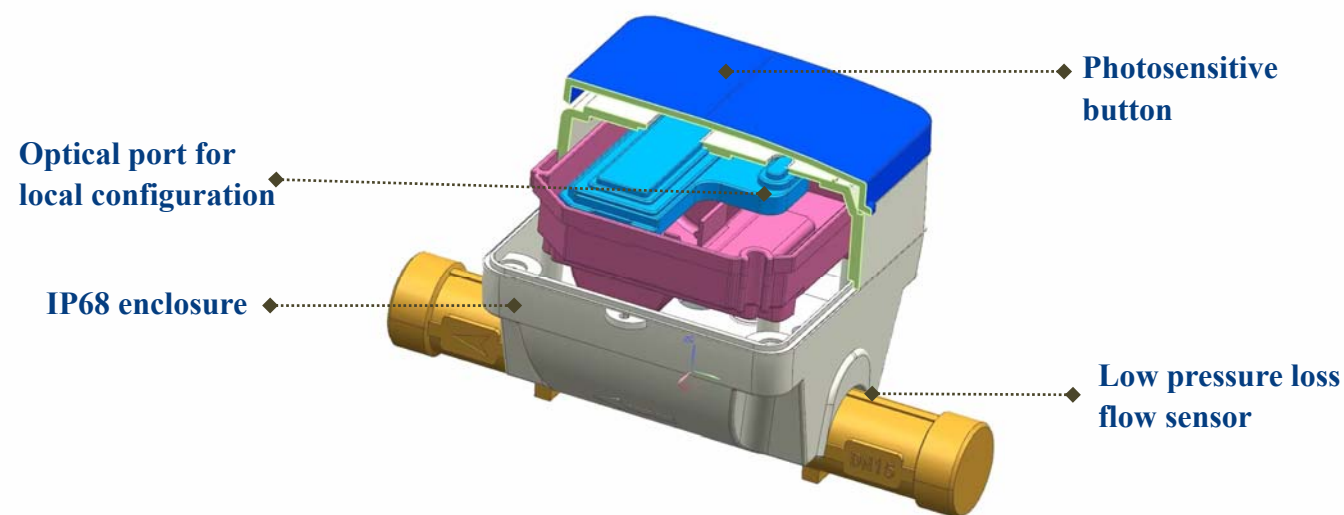
DESCRIPTION

JOYS663 is an ultrasonic water meter that combines Joy's decade's experience in ultrasonic metering research and development. By updating the button from rubber to photosensitive type, the button life is extended as long as the meter life and the meter water protection is pretty reliable as IP68. In addition, the improved special compact design also makes more battery types are now available to choose. It does completely assure the quality of meter working life for different fields.

By developing a bunch of communication ports for the coming IoT age, M-Bus, LoRaWAN and NB-IoT are ready for using in different aims such as data collecting and labor cost down.

FEATURES

- ▶ High measuring accuracy, R100/R160/R250
- ▶ Low starting flow in 5L/h
- ▶ Updated data storage
- ▶ Easy installation, Horizontal or vertical
- ▶ Fully water-proof IP68
- ▶ Automatic events recording and reporting
- ▶ Reverse counting
- ▶ Leakage detection
- ▶ Temperature detection
- ▶ Anti-freezing
- ▶ Real-time anomaly monitoring
- ▶ Anti-magnetic protection and records



TECHNICAL SPECIFICATIONS

Item	Parameter					
Diameter, mm	DN15			DN20		
R(Q3/Q1)	R100	R160	R250	R100	R160	R250
Q3, m³/h	2.5	2.5	2.5	4	4	4
Q4, m³/h	3.125	3.125	3.125	5	5	5
Q1, m³/h	0.025	0.016	0.010	0.04	0.025	0.016
Connection	G $\frac{3}{4}$ B			G1B		
Length, mm	165			190		
Width, mm	94					
Height, mm	87					
Connection	Threaded joint					
Temp. Class	T30, T50, T70					
Class of Pressure Loss, kPa	Δ P63					
Sensitivity to Irregularity	U10/D 5					
Max. Working Pressure, MPa	1.6					
Accuracy	Class 2					
Environmental Classification	B					
Electromagnetic Environment	E1					
Start Flow Rate	5L/h					
Installation Direction	Horizontal or Vertical					
Installation Environment	Indoor					
Date Storage	36 months historical records					
LCD	8-digit					
LCD Resolution	0.001					
Power Supply	DC 3.6V, battery					
Meter Life	6/10 years lifetime					
Communication Interface	IrDA, Pulse output, M-Bus, LoRaWAN, NB-IoT					
Protection	IP65 / IP68					
Ambient Temp.	5~55 °C					
Storage Temp.	-20~70 °C					
Standard Compliance	Meter Standard	EN14154, OIML R49				
	Communication Standard	EN13757, CJ/T 188				